







-  20mm HIGH LED DISPLAY
-  16-POINT LINEARIZATION
-  2 OR 4 SET POINTS
-  4-20mA ISOLATED OUTPUT
-  RS485 ISOLATED INTERFACE
-  24V SENSOR EXCITATION



Product description.

DIG-260 is a versatile, programmable process meter for a variety of industrial applications. It has large digital read-out providing excellent process value readability.

Advanced programming menu gives the user the range of options and settings. Following parameters can be programmed:

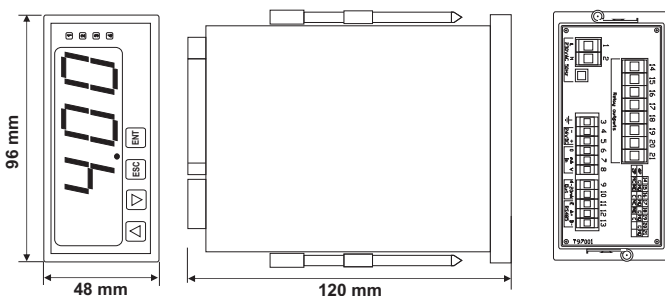
- linear and non-linear display scaling,,
- filtering and last digit rounding,
- set-point levels,
- relay switching modes,
- analog output scaling,
- communication options .

DIG-260 is assembled in robust glass-reinforced panel housing.

Technical specification

| | | |
|--------------------------|----------------------------|-----------------------------|
| Input | 0(4)-20mA | Rin<56om |
| | 10V | Rin>50kom |
| accuracy | | +/- 0,1% FS |
| resolution | | 15 bit |
| filter time constant | | 0 -15,36s |
| relay output | 2xNO/NC, 1A/ 250 VAC | |
| | or 4x NO, 1A/ 250 VAC | |
| Interface* / protocol | | RS-485 / Modbus RTU |
| analogue output* | | 4-20mA |
| analogue output accuracy | | +/- 0.1% FS |
| supply voltage | 230 VAC or 24 V AC/DC | |
| power consumption | | 4W |
| digital display | 4 digits LED h=20mm, green | |
| display range | | -999 ; 9999 |
| dimensions | | 96 x 48 x 120 mm |
| protection class | | IP-65 (front), IP-20 (rear) |
| standards | | EN-61010-1, EN-61326 |

* - option



Marking example:

DIG-260/230/4P/MA/RS pwr 230VAC, RS-485,
 options 4 relays, current output

- Options:
- 24** - 24VDC power or **230** - 230VAC power
 - no relays, **2P** - 2x NO/NC relays, **4P** - 4x NO relays
 - no lin. output, **MA** - passive 4-20mA output
 - no interface, **RS** - Rs485 interface